

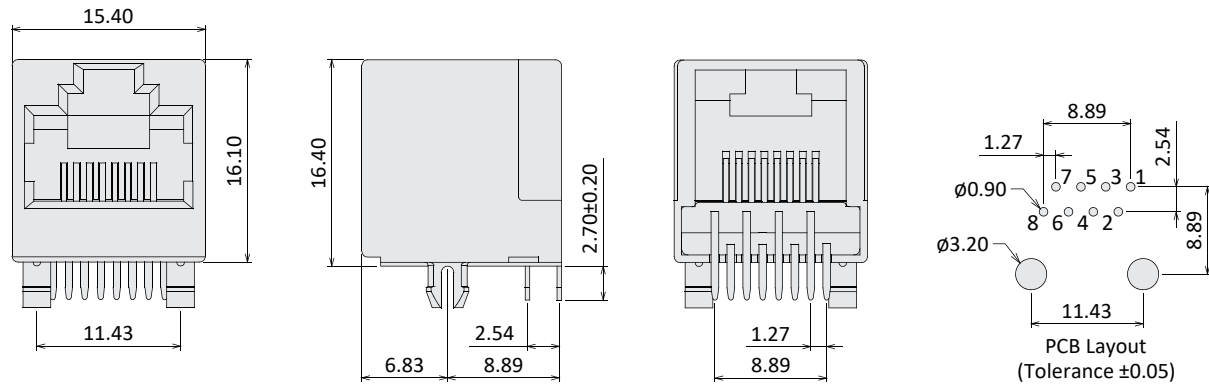
# Modular Jack

Current Rate: 1.5A  
 Voltage Rate: 125V  
 Dielectric Voltage: 1000V AC for one minute  
 Insulation Resistance: 500MΩ Min.  
 Contact Resistance: 30mΩ Max.  
 Material Contact: Copper Alloy, Gold / Tin  
 Material Insulator: PBT or FR52, UL94V-0  
 Operating Temperature: -40°C~+85°C



## Modular Jack Side Entry H=16.4 W=15.4

Part No.: Z210NXX-XX



Code	Position	Contact
88	8P	8C

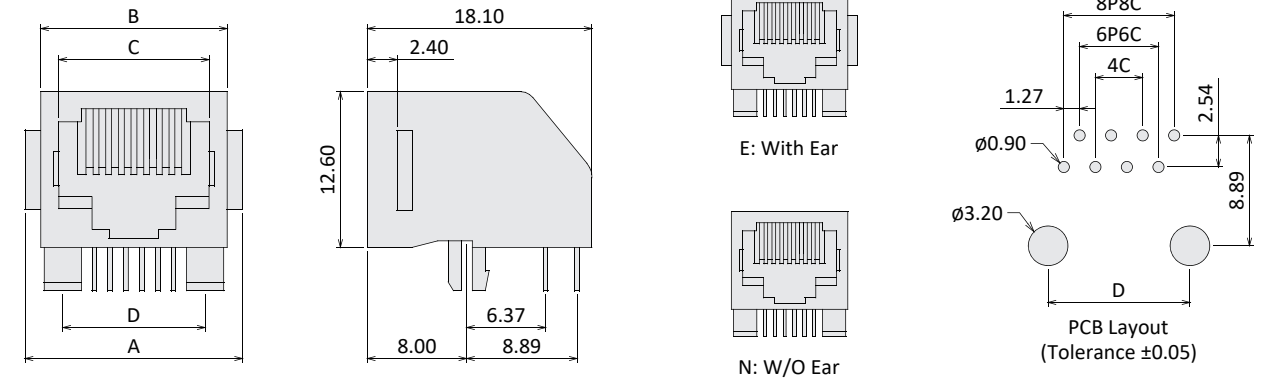
# Modular Jack

Current Rate: 1.5A  
 Voltage Rate: 125V  
 Dielectric Voltage: 1000V AC for one minute  
 Insulation Resistance: 500MΩ Min.  
 Contact Resistance: 30mΩ Max.  
 Material Contact: Copper Alloy, Gold / Tin  
 Material Insulator: PBT or NY 9T, UL94V-0  
 Operating Temperature: -40°C~+85°C



## Modular Jack Side Entry H=12.6 W=18.1

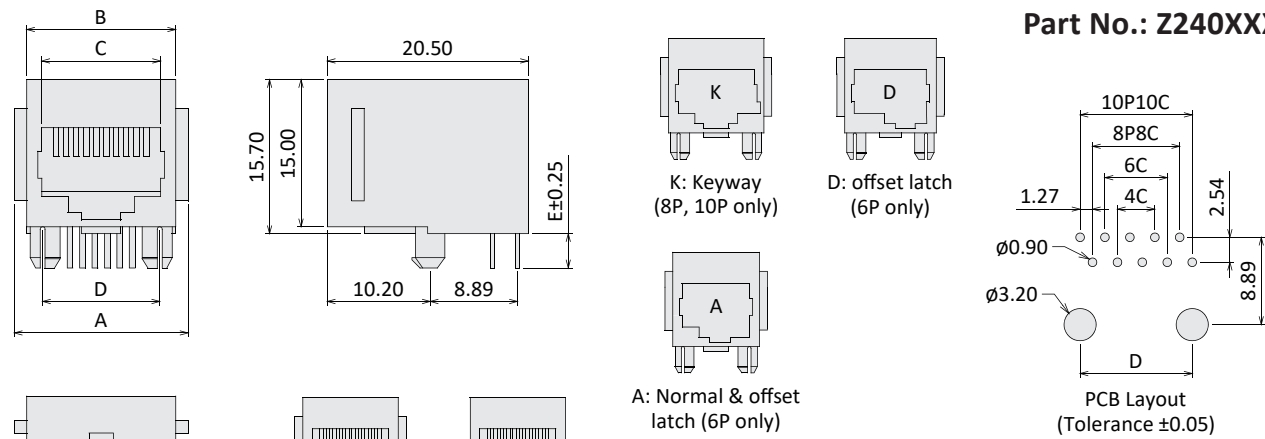
Part No.: Z253XXX-XX



Code	Position	Contact	A	B	C	D
6(4/6)	6P	4C/6C	15.75	13.20	9.90	10.16
88	8P	8C	17.75	15.20	11.93	11.43

## Modular Jack Side Entry H=15.7 W=20.5

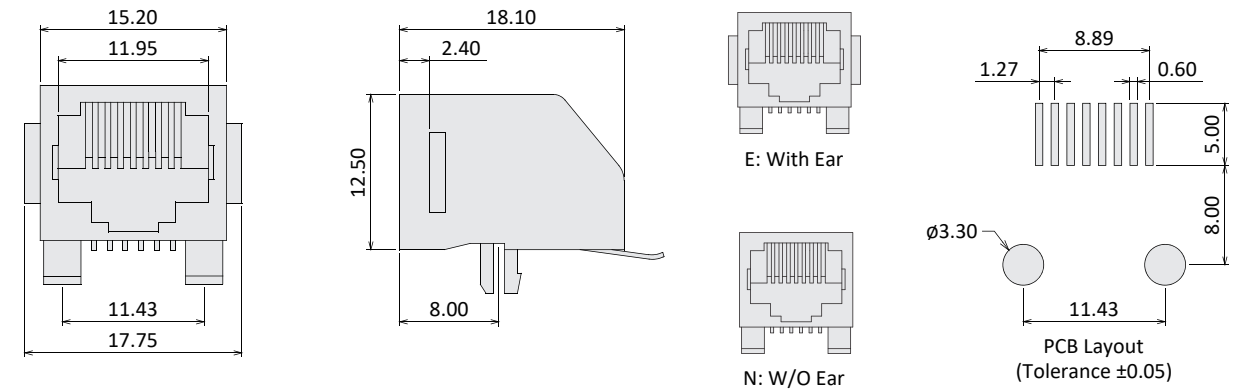
Part No.: Z240XXX-XXX



Code	Position	Contact	A	B	C	D	E
44	4P	4C	13.55	11.15	7.70	7.62	3.50
6(2/4/6)	6P	2C/4C/6C	15.60	13.15	9.90	10.16	3.50
8(4/6/8)	8P	4C/6C/8C	17.60	15.20	11.95	11.43	4.00
1010	10P	10C	17.60	15.20	11.95	11.43	4.00

## Modular Jack Side Entry H=12.5 W=18.1

Part No.: Z254XXX-88



Code	Position	Contact
88	8P	8C

## Order Information

Z XXX X XX - XX X

Series No. 210 / 240    N: W/O Ear    E: With Ear    G0: Gold Flash    G1: Gold 3u"    G2: Gold 6u"    G3: Gold 10u"    G4: Gold 15u"    G5: Gold 30u"    See Table (Code)    Blank: None    K: Keyway    D: offset Latch    A: Normal offset Latch (240 only)

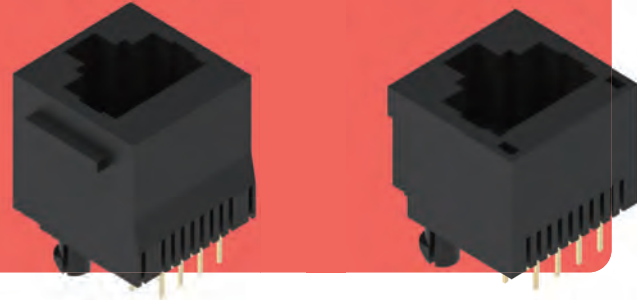
## Order Information

Z XXX X XX - XX

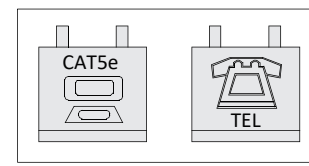
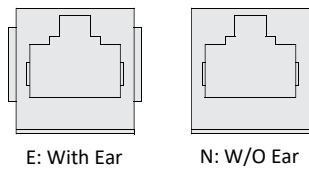
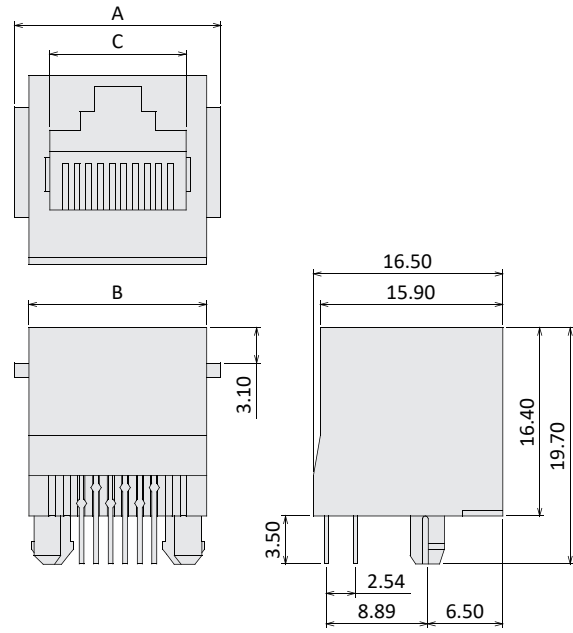
Series No. 253 / 254    N: W/O Ear    E: With Ear    G0: Gold Flash    G1: Gold 3u"    G2: Gold 6u"    G3: Gold 10u"    G4: Gold 15u"    G5: Gold 30u"    See Table (Code)

# Modular Jack

Current Rate: 1.5A  
 Voltage Rate: 125V  
 Dielectric Voltage: 1000V AC for one minute  
 Insulation Resistance: 500MΩ Min.  
 Contact Resistance: 30mΩ Max.  
 Material Contact: Copper Alloy, Gold / Tin  
 Material Insulator: PBT, UL94V-0  
 Operating Temperature: -40°C~+85°C

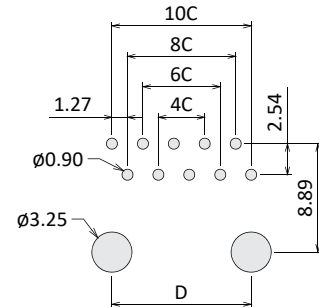


## Modular Jack Top Entry H=16.4 W=16.5



Dust Cover (Optional)

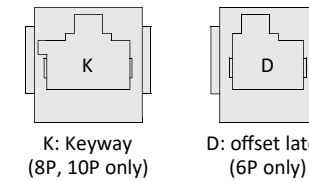
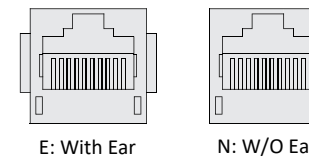
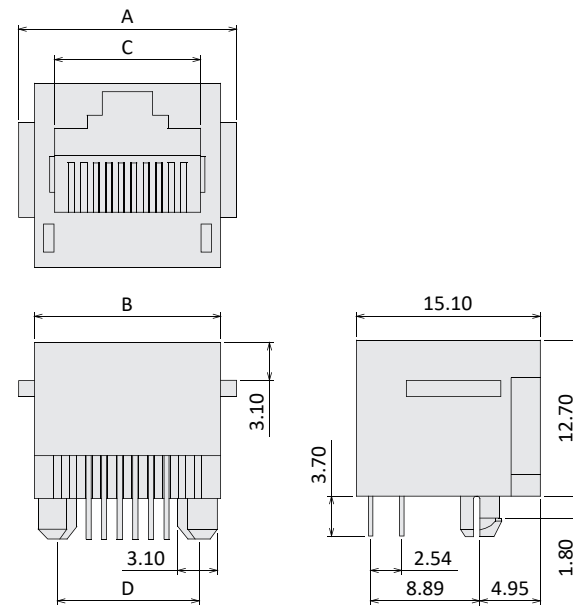
### Part No.: Z260XXX-XXX



PCB Layout (Tolerance ±0.05)

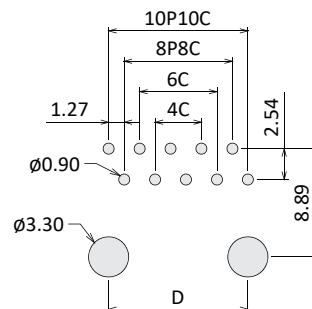
Code	Position	Contact	A	B	C	D
44	4P	4C	13.85	11.40	7.90	7.62
6(2/4/6)	6P	2C/4C/6C	15.85	13.45	10.00	10.16
8(4/6)	8P	4C/6C	18.00	15.50	10.00	11.43
88	8P	8C	18.00	15.50	11.90	11.43
1010	10P	10C	18.00	15.50	11.90	11.43

## Modular Jack Top Entry H=12.7 W=15.1



K: Keyway (8P, 10P only)  
 D: offset latch (6P only)

### Part No.: Z264XXX-XXX



PCB Layout (Tolerance ±0.05)

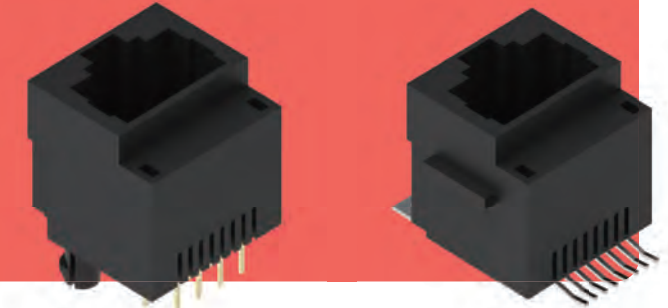
Code	Position	Contact	A	B	C	D
44	4P	4C	13.60	11.20	7.90	7.62
6(2/4/6)	6P	2C/4C/6C	15.60	13.20	9.90	10.16
(8/6)(2/4/6)	8P/6P	2C/4C/6C	17.60	15.20	9.90	11.43
8(4/6/8)	8P	4C/6C/8C	17.60	15.20	11.90	11.43
1010	10P	10C	17.60	15.20	11.90	11.43

## Order Information

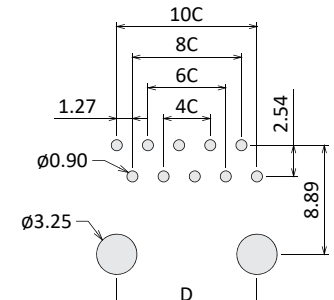
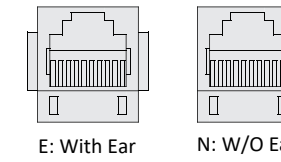
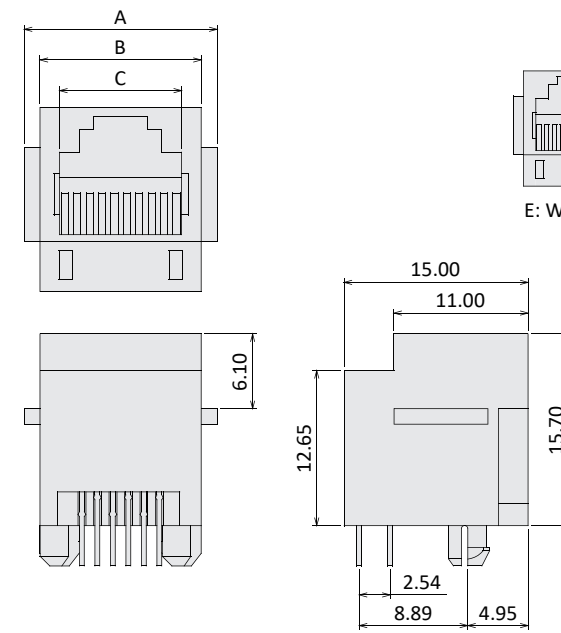
Z	XXX	X	XX	-	XX	X	X
Series No. 260 / 264	N: W/O Ear E: With Ear	G0: Gold Flash G1: Gold 3u" G2: Gold 6u"	G3: Gold 10u" G4: Gold 15u" G5: Gold 30u"	See Table (Code)	Blank: No Cover 5E: 5e Cover TL: TEL Cover (260 only)	Blank: None K: Keyway D: offset Latch (264 only)	

# Modular Jack

Current Rate: 1.5A  
 Voltage Rate: 125V  
 Dielectric Voltage: 1000V AC for one minute  
 Insulation Resistance: 500MΩ Min.  
 Contact Resistance: 30mΩ Max.  
 Material Contact: Copper Alloy, Gold / Tin  
 Material Insulator: PBT or NY 9T, UL94V-0  
 Operating Temperature: -40°C~+85°C



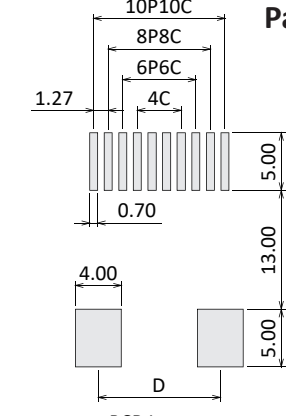
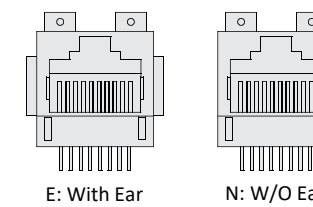
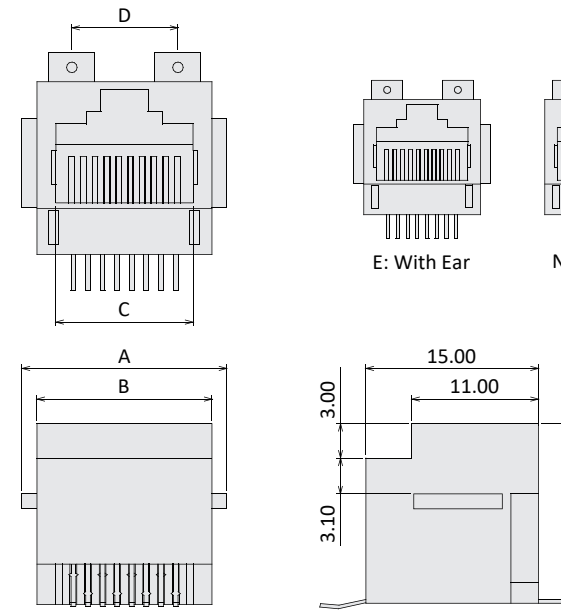
## Modular Jack Top Entry H=15.7 W=15.0



PCB Layout (Tolerance ±0.05)

Code	Position	Contact	A	B	C	D
44	4P	4C	13.70	11.20	7.90	7.62
6(2/4/6)	6P	2C/4C/6C	15.70	13.20	10.00	10.16
8(4/6)	8P	4C/6C	17.70	15.20	10.00	11.43
88	8P	8C	17.70	15.20	11.80	11.43
1010	10P	10C	17.70	15.20	11.80	11.43

## Modular Jack Top Entry H=15.7 W=15.0



PCB Layout (Tolerance ±0.05)

Code	Position	Contact	A	B	C	D
(6/4)4	(6P)4P	4C	15.70	13.20	7.90	9.40
6(4/6)	6P	4C/6C	15.70	13.20	10.00	9.40
88	8P	8C	17.70	15.20	11.80	10.60
1010	10P	10C	17.70	15.20	11.80	10.60

## Order Information

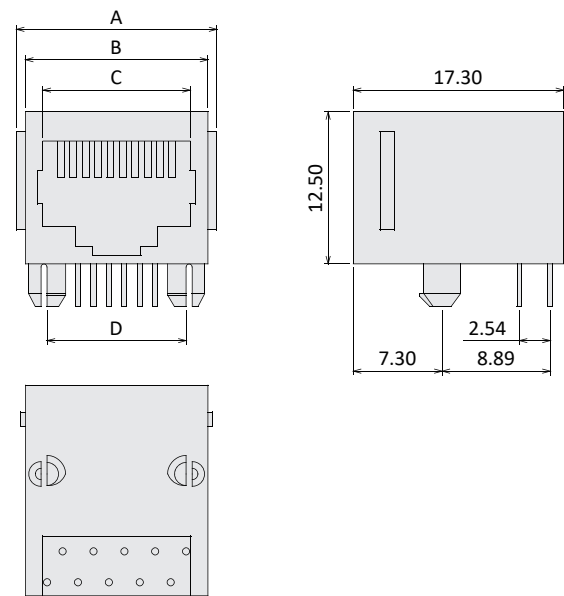
Z	XXX	X	XX	-	XX	
Series No. 266 / 267	N: W/O Ear E: With Ear	G0: Gold Flash G1: Gold 3u" G2: Gold 6u"	G3: Gold 10u" G4: Gold 15u" G5: Gold 30u"	See Table (Code)		

# Modular Jack

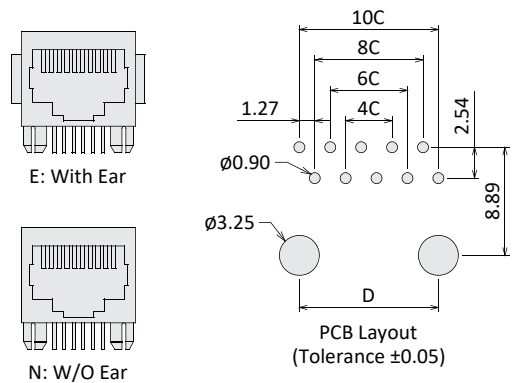
Current Rate: 1.5A  
 Voltage Rate: 125V  
 Dielectric Voltage: 1000V AC for one minute  
 Insulation Resistance: 500MΩ Min.  
 Contact Resistance: 30mΩ Max.  
 Material Contact: Copper Alloy, Gold / Tin  
 Material Insulator: PBT, UL94V-0  
 Operating Temperature: -40°C~+85°C



## Modular Jack Side Entry H=12.5 W=17.3

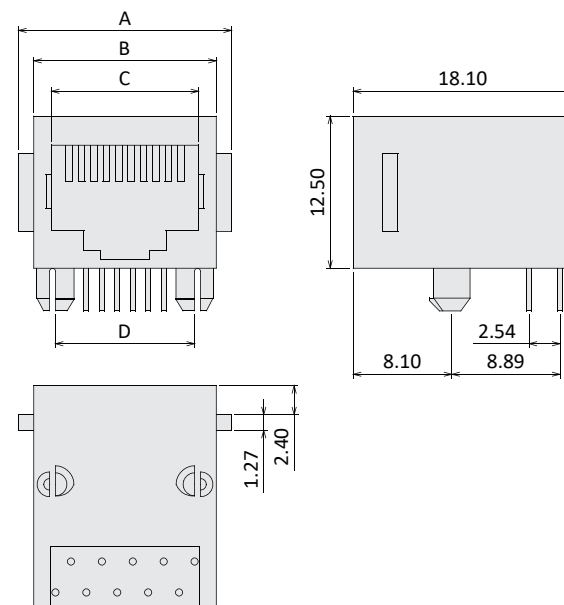


Part No.: Z281XXX-XX

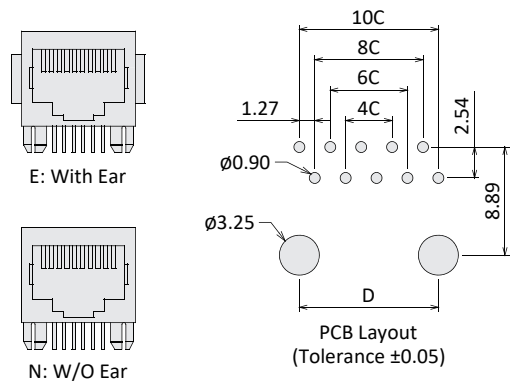


Code	Position	Contact	A	B	C	D
44	4P	4C	13.50	11.20	7.80	7.62
6(2/4/6)	6P	2C/4C/6C	15.60	13.20	10.00	10.16
88	8P	8C	17.60	15.00	11.90	11.43
1010	10P	10C	17.60	15.00	11.90	11.43

## Modular Jack Side Entry H=12.5 W=18.1

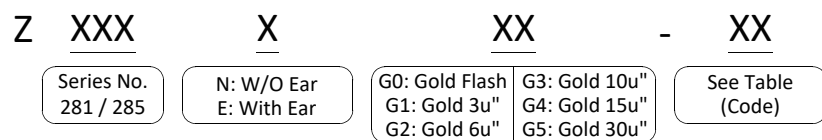


Part No.: Z285XXX-XX



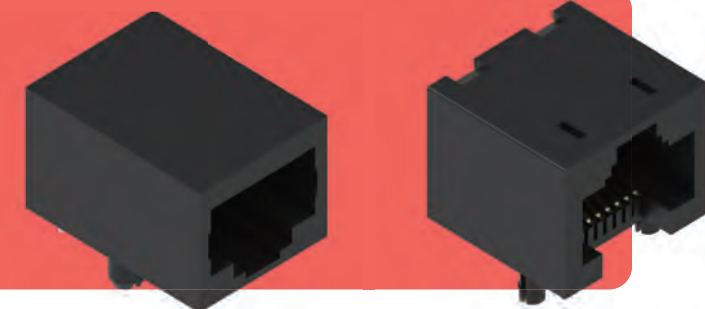
Code	Position	Contact	A	B	C	D
44	4P	4C	13.50	11.20	7.80	7.62
6(2/4/6)	6P	2C/4C/6C	15.60	13.20	9.90	10.16
88	8P	8C	17.50	15.00	12.00	11.43
1010	10P	10C	17.50	15.00	12.00	11.43

## Order Information

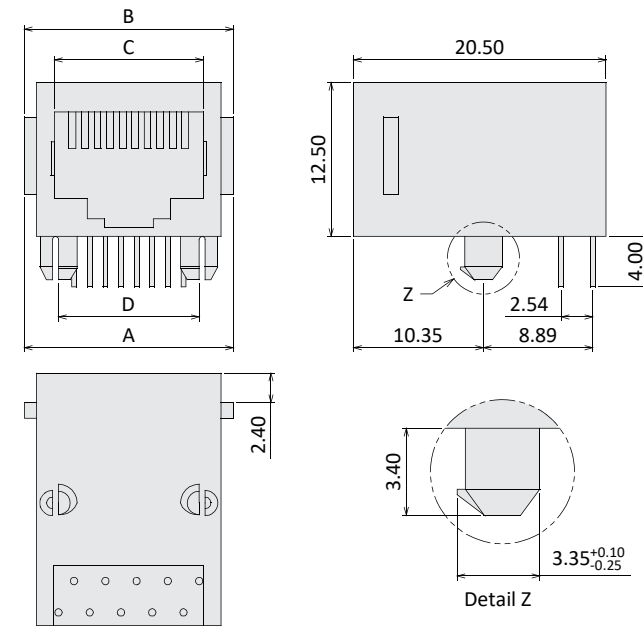


# Modular Jack

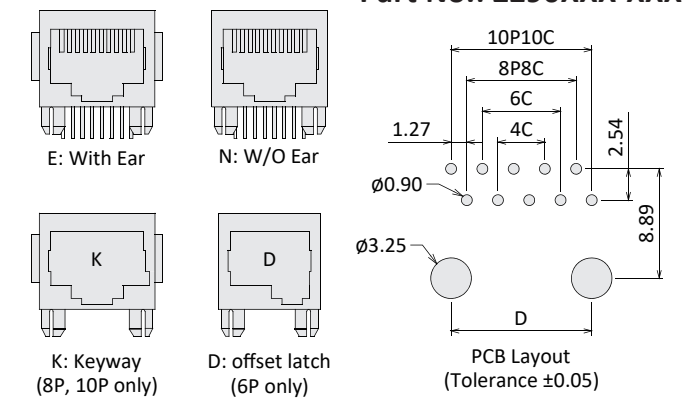
Current Rate: 1.5A  
 Voltage Rate: 125V  
 Dielectric Voltage: 1000V AC for one minute  
 Insulation Resistance: 500MΩ Min.  
 Contact Resistance: 30mΩ Max.  
 Material Contact: Copper Alloy, Gold / Tin  
 Material Insulator: PBT, UL94V-0  
 Operating Temperature: -40°C~+85°C



## Modular Jack Side Entry H=12.5 W=20.5

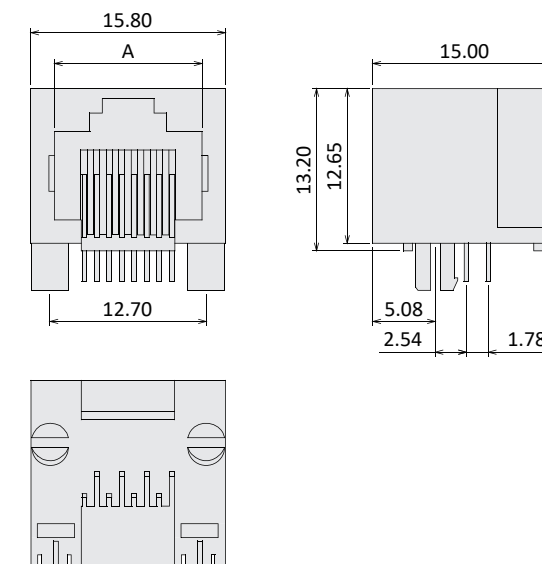


Part No.: Z290XXX-XXX

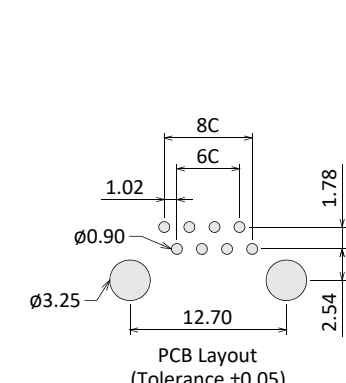


Code	Position	Contact	A	B	C	D
44	4P	4C	13.70	11.20	7.75	7.62
6(2/4/6)	6P	2C/4C/6C	15.60	13.20	9.90	10.16
8(4/6/8)	8P	4C/6C/8C	17.40	15.00	11.90	11.43
1010	10P	10C	17.40	15.00	11.90	11.43

## Modular Jack Side Entry H=13.2 W=15.0

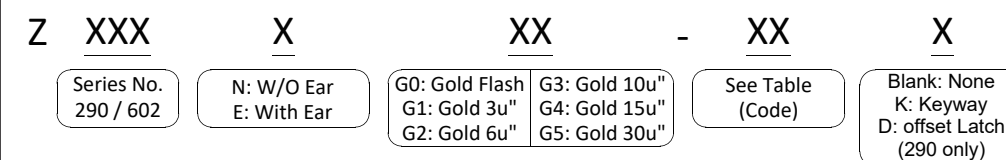


Part No.: Z602NXX-XX



Code	Position	Contact	A
(8/6)6	8P/6P	6C	9.90
88	8P	8C	12.00

## Order Information



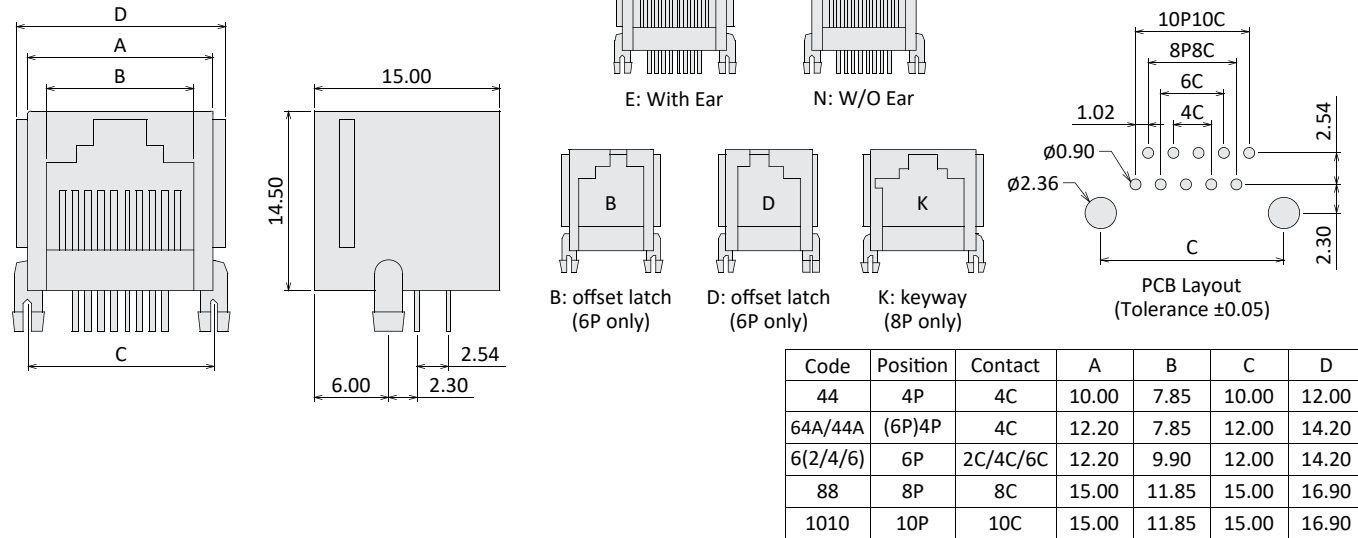
# Modular Jack

Current Rate: 1.5A  
 Voltage Rate: 125V  
 Dielectric Voltage: 1000V AC for one minute  
 Insulation Resistance: 500MΩ Min.  
 Contact Resistance: 30mΩ Max.  
 Material Contact: Copper Alloy, Gold Plated  
 Material Insulator: PBT, UL94V-0  
 Operating Temperature: -40°C~+85°C



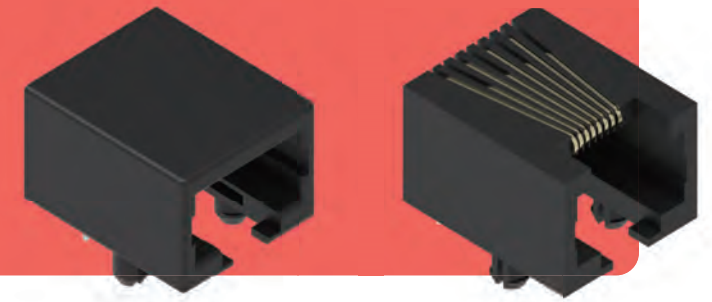
## Modular Jack Side Entry H=14.5 W=15.0

Part No.: Z627XXX-XXX



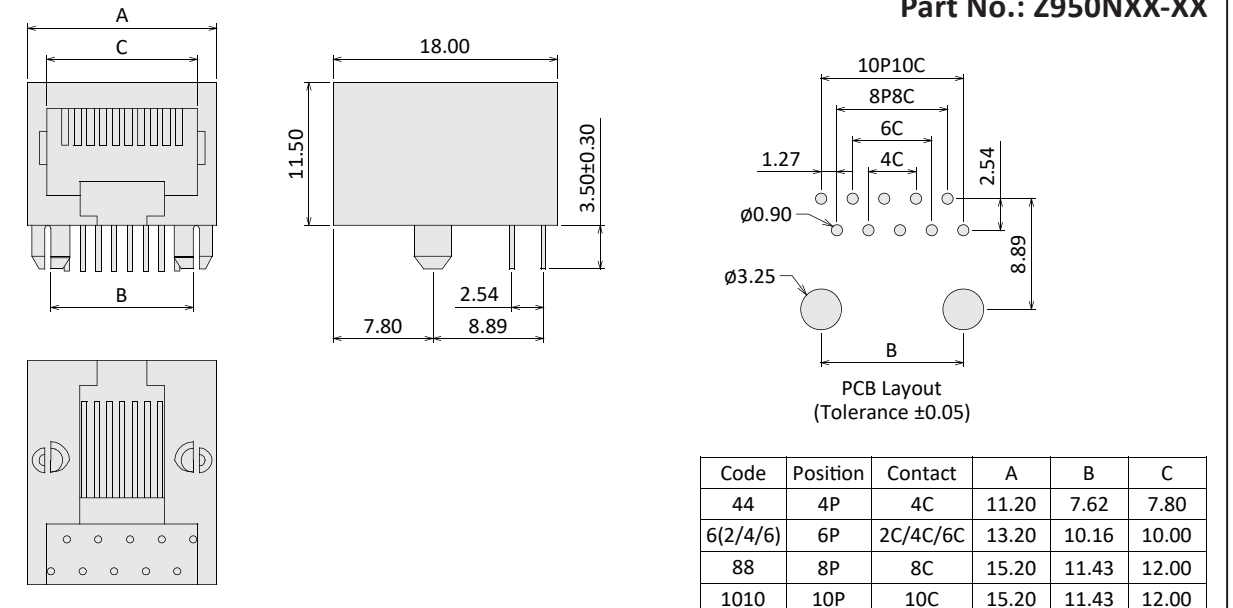
# Modular Jack

Current Rate: 1.5A  
 Voltage Rate: 125V  
 Dielectric Voltage: 1000V AC for one minute  
 Insulation Resistance: 500MΩ Min.  
 Contact Resistance: 30mΩ Max.  
 Material Contact: Copper Alloy, Gold Plated  
 Material Insulator: PBT, UL94V-0  
 Operating Temperature: -40°C~+85°C



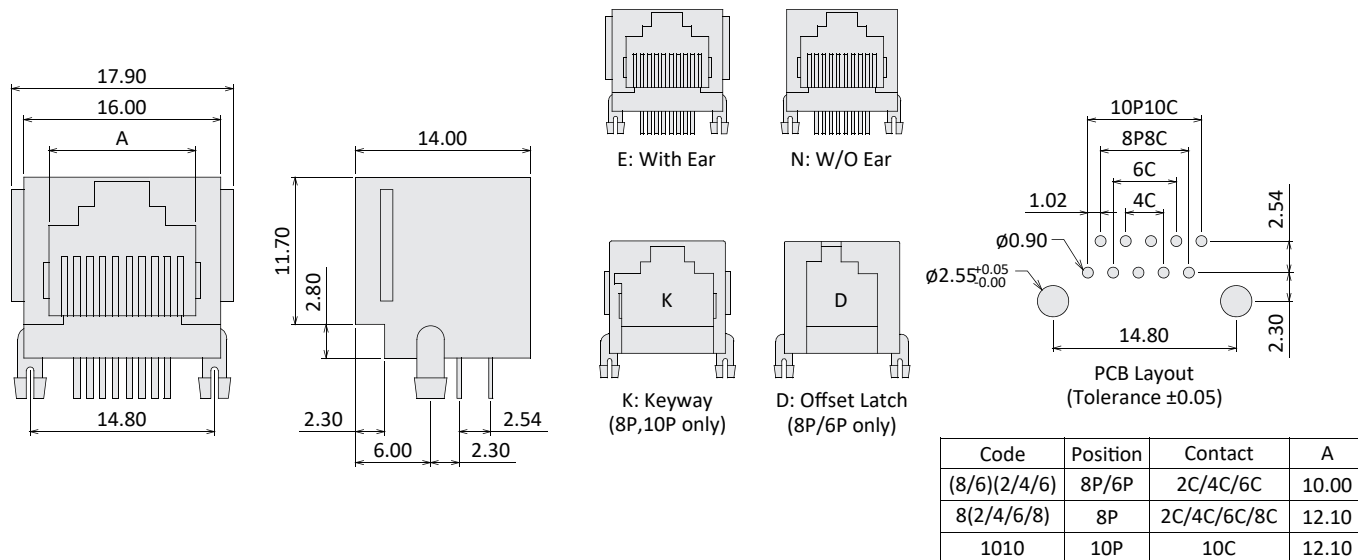
## Modular Jack Side Entry H=11.5 W=18.0

Part No.: Z950NXX-XX



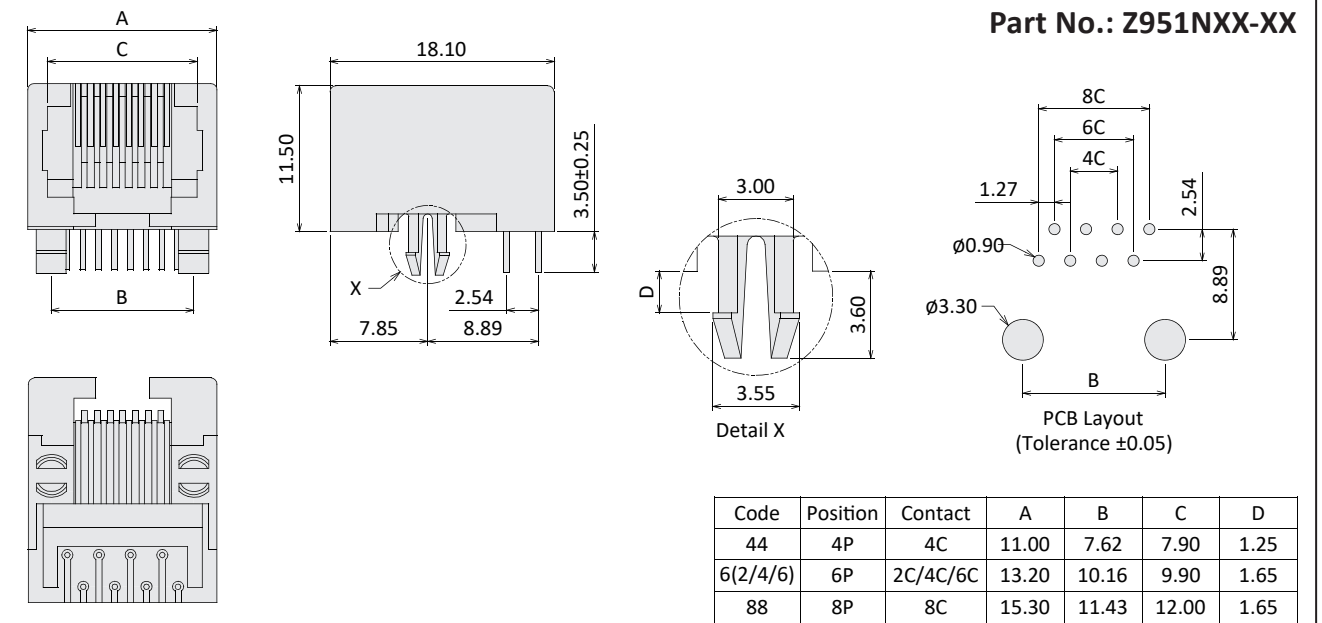
## Modular Jack Side Entry H=14.5 W=14.0

Part No.: Z810XXX-XXX



## Modular Jack Side Entry H=11.5 W=18.1

Part No.: Z951NXX-XX



## Order Information

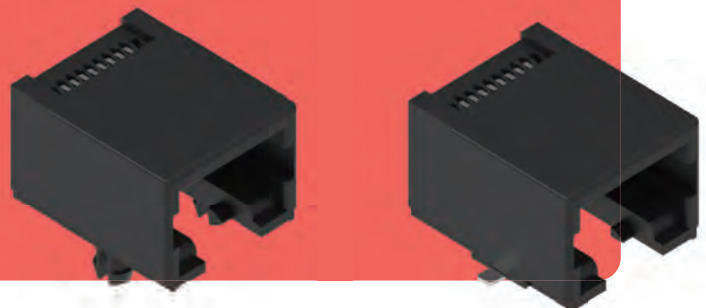
Z XXX X XX - XX X  
 Series No. 627 / 810  
 N: W/O Ear  
 E: With Ear  
 G0: Gold Flash  
 G1: Gold 3u"  
 G2: Gold 6u"  
 G3: Gold 10u"  
 G4: Gold 15u"  
 G5: Gold 30u"  
 See Table (Code)  
 Blank: None  
 K: Keyway  
 B: offset Latch  
 D: offset Latch

## Order Information

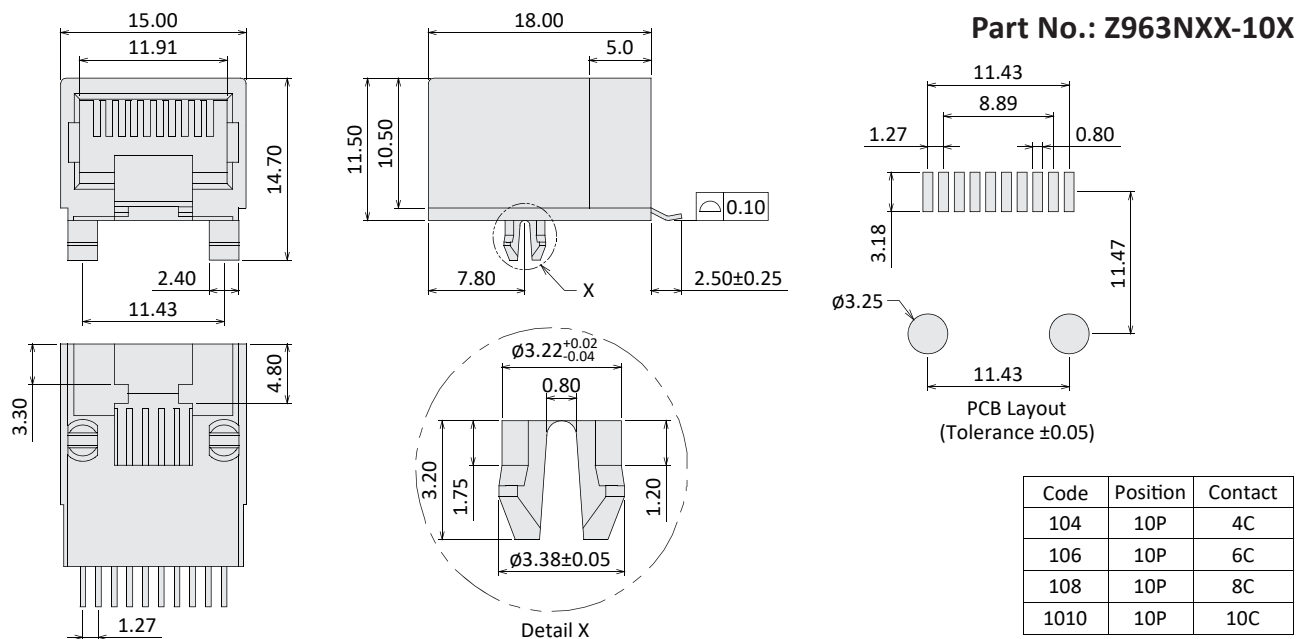
Z XXX N XX - XX  
 Series No. 950 / 951  
 N: W/O Ear  
 G0: Gold Flash  
 G1: Gold 3u"  
 G2: Gold 6u"  
 G3: Gold 10u"  
 G4: Gold 15u"  
 G5: Gold 30u"  
 See Table (Code)

# Modular Jack

Current Rate: 1.5A  
 Voltage Rate: 125V  
 Dielectric Voltage: 1000V AC for one minute  
 Insulation Resistance: 500MΩ Min.  
 Contact Resistance: 30mΩ Max.  
 Material Contact: Copper Alloy, Gold Plated  
 Material Insulator: NY46 or NY 9T, UL94V-0  
 Operating Temperature: -40°C~+85°C

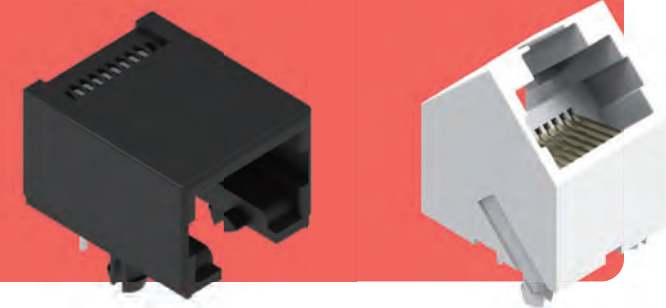


## Modular Jack Side Entry H=11.5 W=18.0

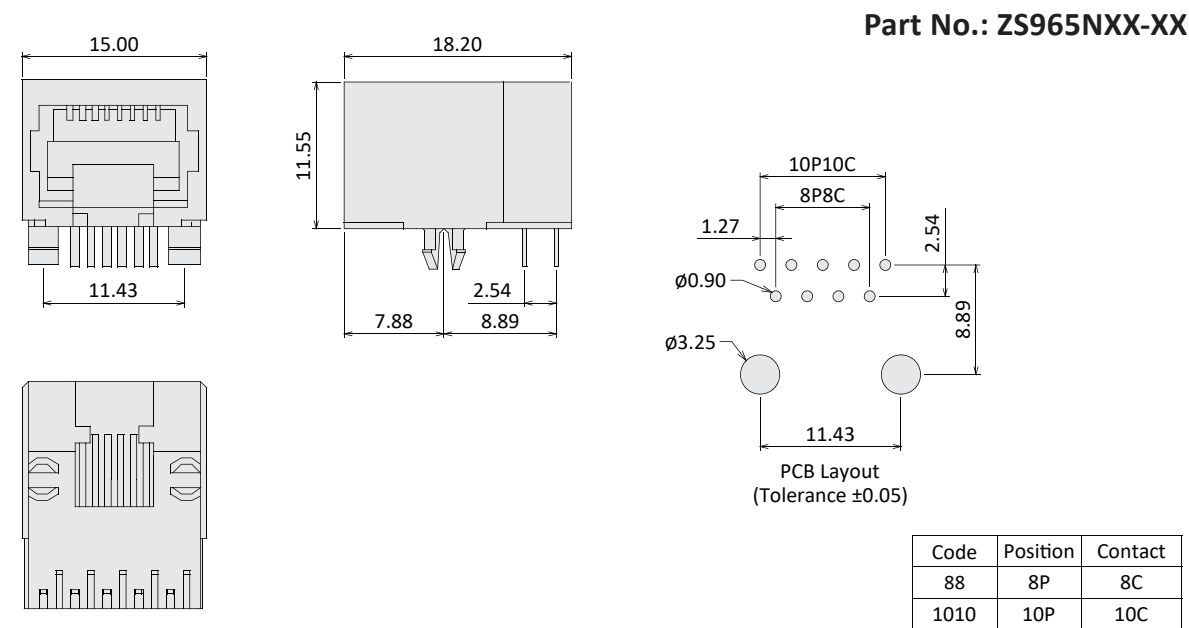


# Modular Jack

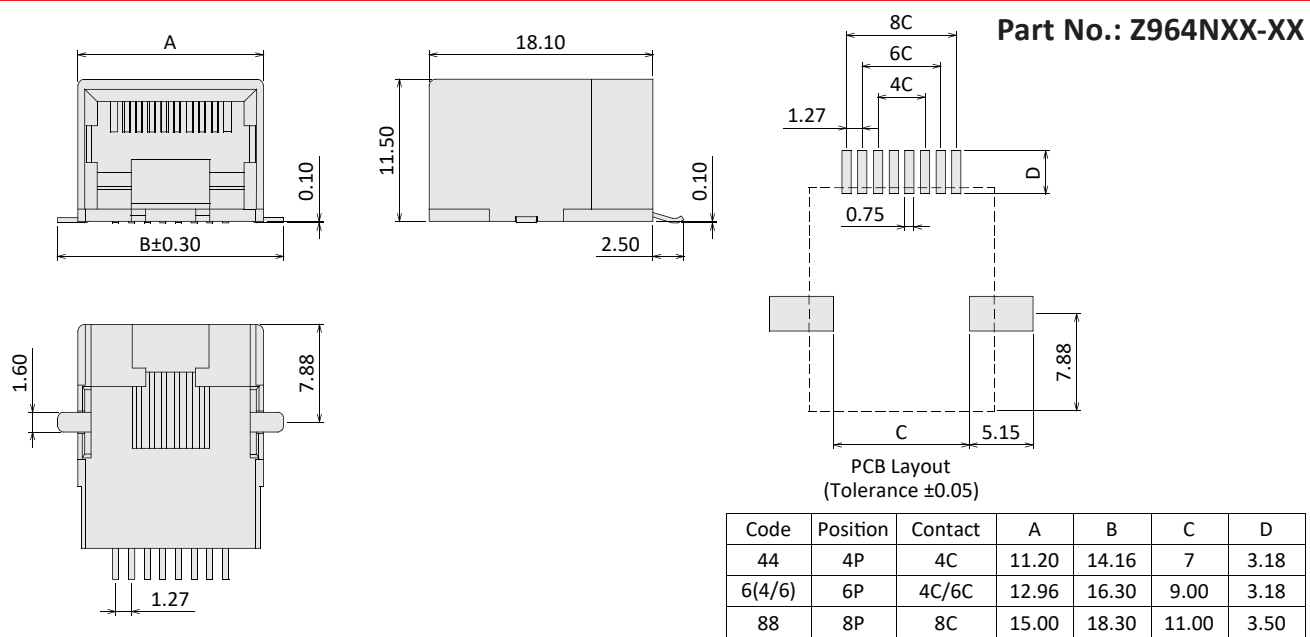
Current Rate: 1.5A  
 Voltage Rate: 125V  
 Dielectric Voltage: 1000V AC for one minute  
 Insulation Resistance: 500MΩ Min.  
 Contact Resistance: 30mΩ Max.  
 Material Contact: Copper Alloy, Gold / Tin  
 Material Shell: Copper Alloy, Nickel Plated  
 Material Insulator: PBT , UL94V-0  
 Operating Temperature: -40°C~+85°C



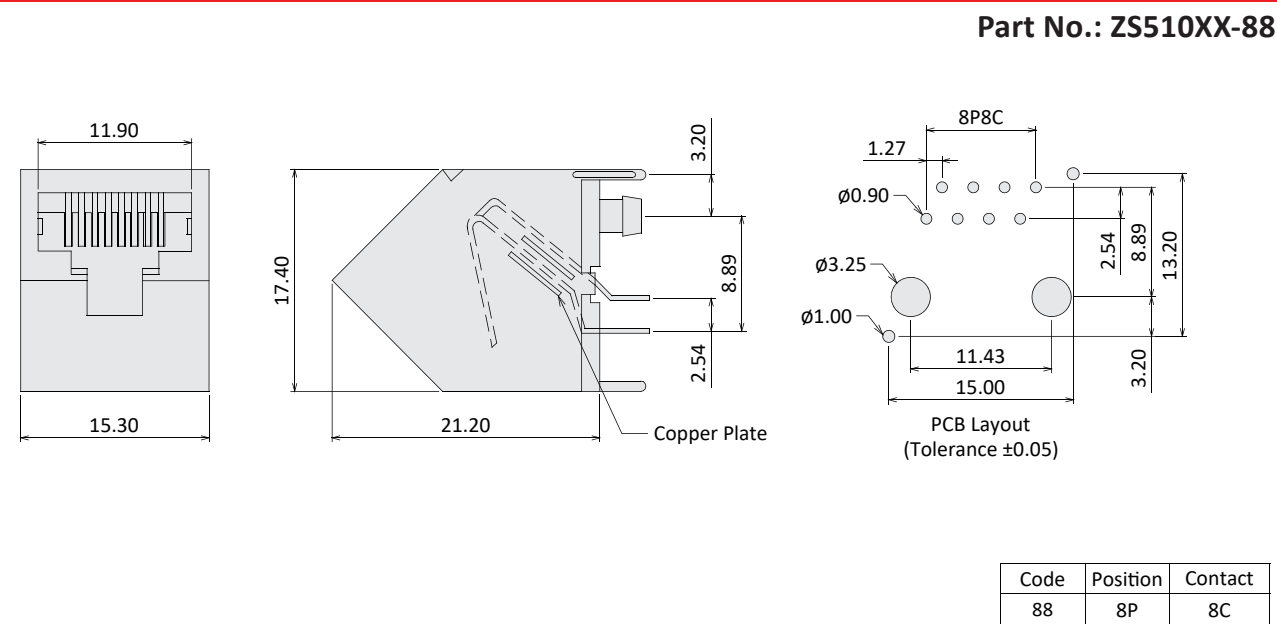
## Modular Jack Side Entry H=11.5 W=18.2



## Modular Jack Side Entry H=11.5 W=18.1



## Modular Jack Shielded 45 Degree H=21.2 W=15.3



### Order Information

Z XXX N XX - XX

Series No. 963 / 964    N: W/O Ear    G0: Gold Flash    G1: Gold 3u"    G2: Gold 6u"    G3: Gold 10u"    G4: Gold 15u"    G5: Gold 30u"    See Table (Code)

### Order Information

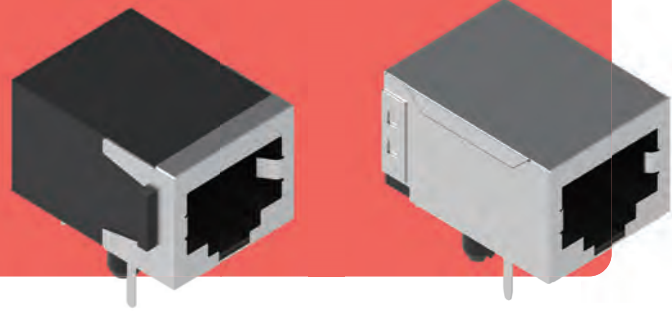
X XXX N XX - XX

Z: Non-Shielded    ZS: Shielded    Series No. 965 / 510    N: W/O Ear (for 965 only)    G0: Gold Flash    G1: Gold 3u"    G2: Gold 6u"    G3: Gold 10u"    G4: Gold 15u"    G5: Gold 30u"    See Table (Code)



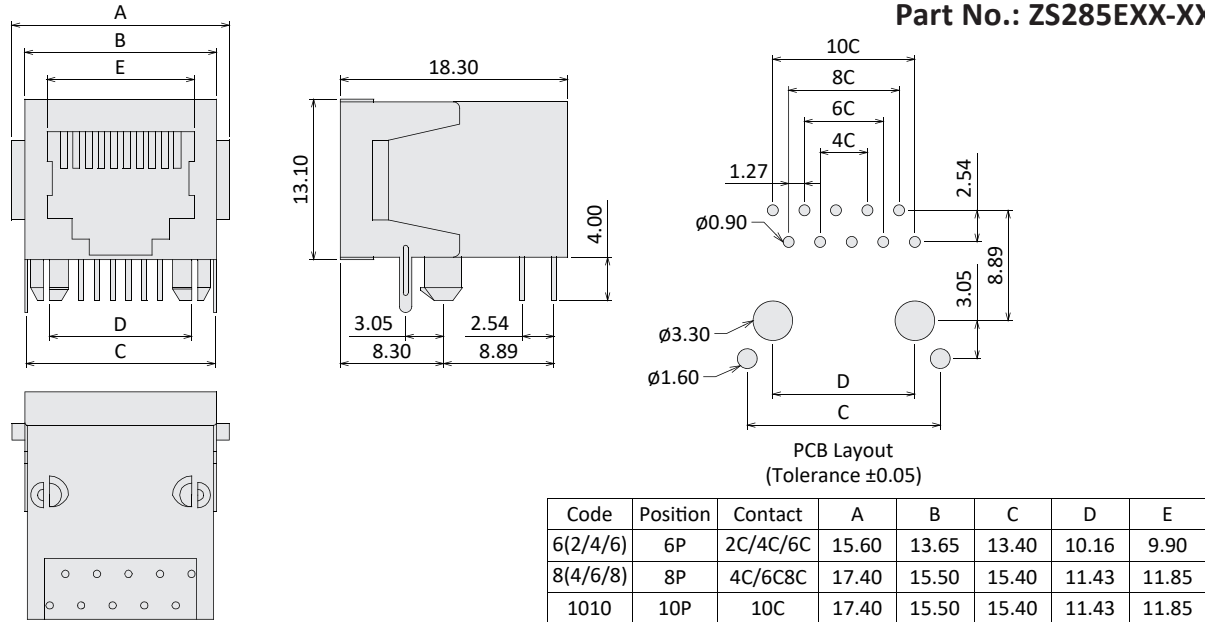
# Modular Jack

Current Rate: 1.5A  
 Voltage Rate: 125V  
 Dielectric Voltage: 1000V AC for one minute  
 Insulation Resistance: 500MΩ Min.  
 Contact Resistance: 30mΩ Max.  
 Material Contact: Copper Alloy, Gold / Tin  
 Material Shell: Copper Alloy, Nickel Plated  
 Material Insulator: PBT, UL94V-0  
 Operating Temperature: -40°C~+85°C



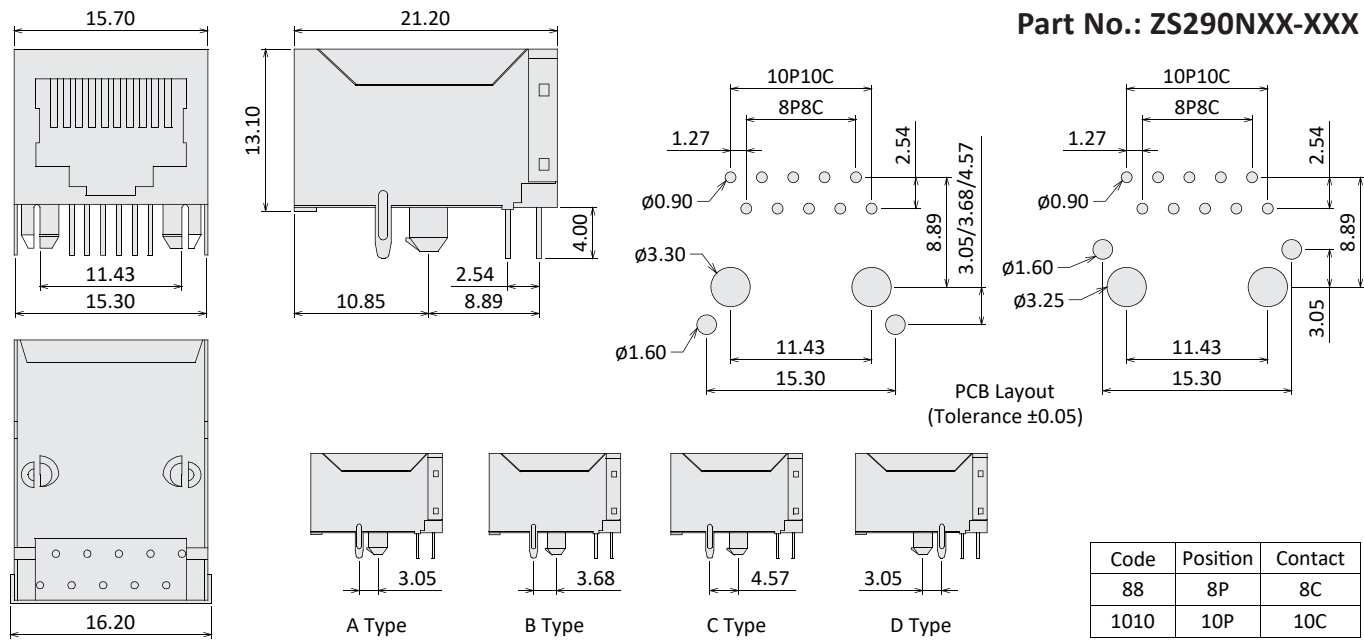
## Modular Jack Shielded Side Entry H=13.1 W=18.3

Part No.: ZS285EXX-XX



## Modular Jack Shielded Side Entry H=13.1 W=21.20

Part No.: ZS290NXX-XXX



### Order Information

ZS XXX X XX - XX X

Series No. 285 / 290

N: W/O Ear  
E: With Ear

G0: Gold Flash  
G1: Gold 3u"  
G2: Gold 6u"

G3: Gold 10u"  
G4: Gold 15u"  
G5: Gold 30u"

See Table (Code)

A: A Type Layout  
B: B Type Layout  
C: C Type Layout  
D: D Type Layout (290 only)

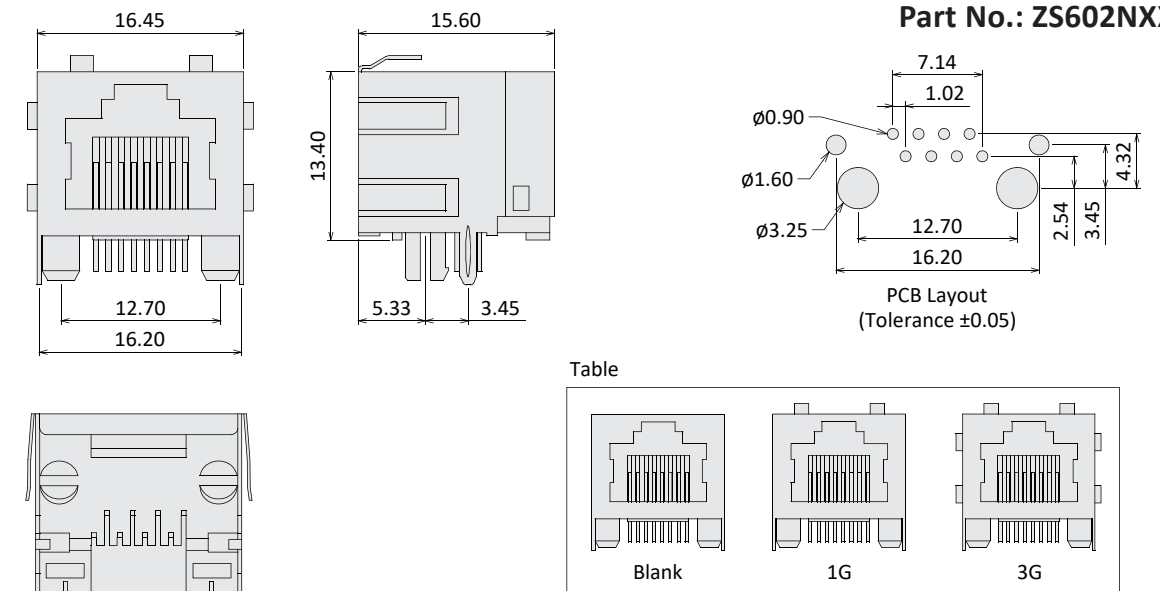
# Modular Jack

Current Rate: 1.5A  
 Voltage Rate: 125V  
 Dielectric Voltage: 1000V AC for one minute  
 Insulation Resistance: 500MΩ Min.  
 Contact Resistance: 30mΩ Max.  
 Material Contact: Copper Alloy, Gold / Tin  
 Material Shell: Copper Alloy, Nickel Plated  
 Material Insulator: PBT or NY 9T, UL94V-0  
 Operating Temperature: -40°C~+85°C



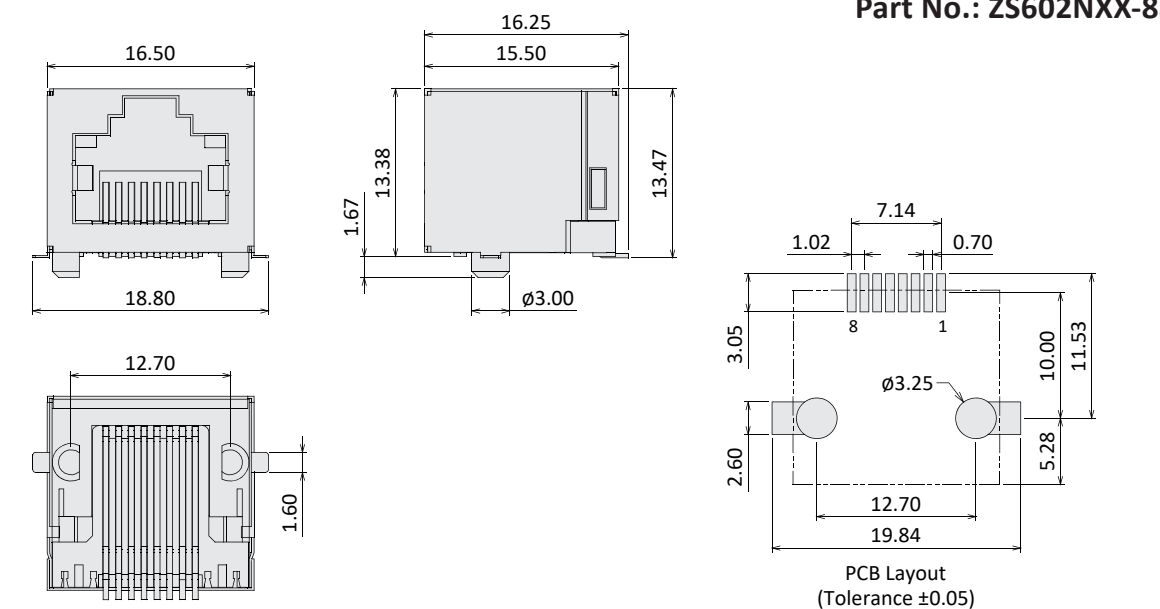
## Modular Jack Shielded Side Entry H=13.4 W=15.6

Part No.: ZS602NXX-88-X



## Modular Jack Shielded Side Entry H=13.38 W=15.5

Part No.: ZS602NXX-88-SMT



### Order Information

ZS 602 N XX - 88 - XXX X

Series No.

N: W/O Ear

G0: Gold Flash  
G1: Gold 3u"  
G2: Gold 6u"

G3: Gold 10u"  
G4: Gold 15u"  
G5: Gold 30u"

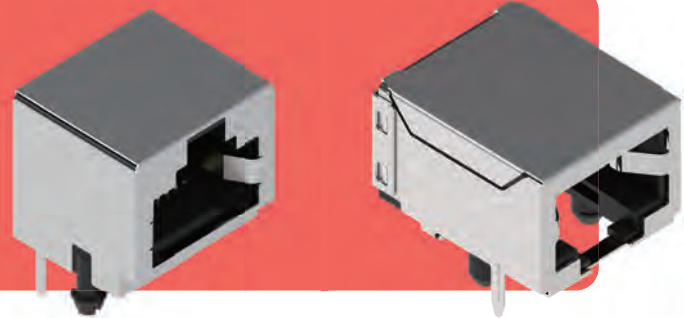
8P8C

Blank: DIP Type  
SMT: SMT Type

See Table (DIP Type Only)

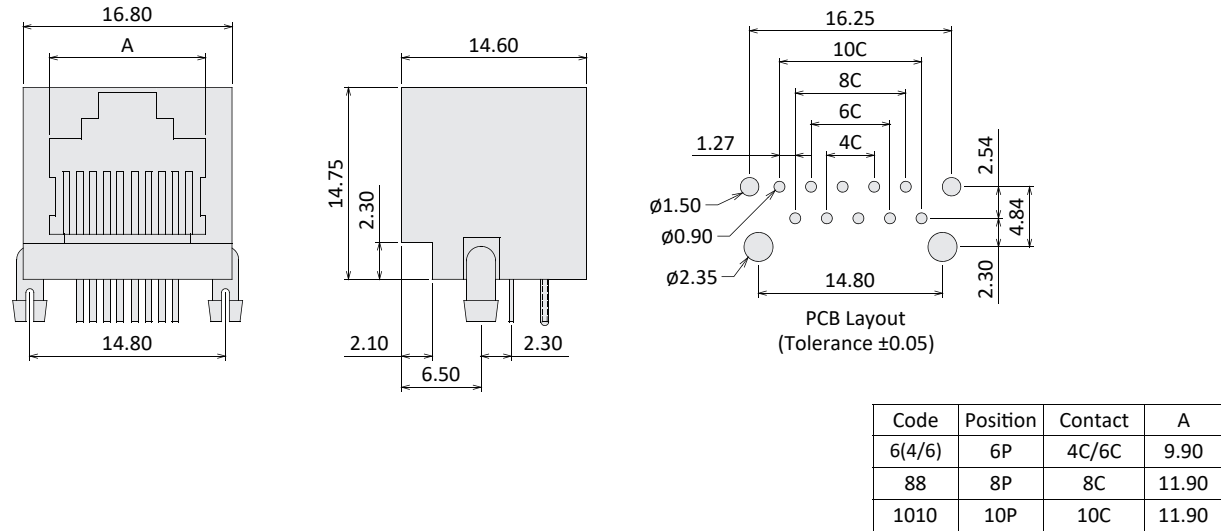
# Modular Jack

Current Rate: 1.5A  
 Voltage Rate: 125V  
 Dielectric Voltage: 1000V AC for one minute  
 Insulation Resistance: 500MΩ Min.  
 Contact Resistance: 30mΩ Max.  
 Material Contact: Copper Alloy, Gold / Tin  
 Material Shell: Copper Alloy, Nickel Plated  
 Material Insulator: PBT, UL94V-0  
 Operating Temperature: -40°C~+85°C



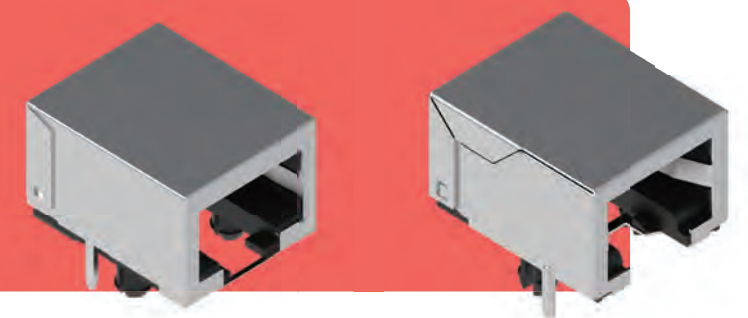
## Modular Jack Shielded Side Entry H=14.75 W=14.60

Part No.: ZS810NXX-XX



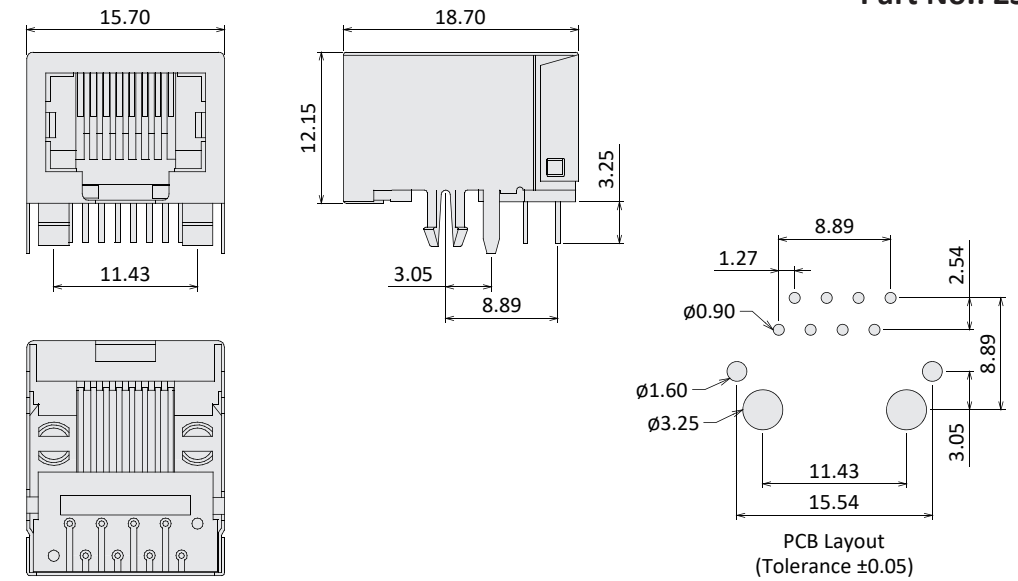
# Modular Jack

Current Rate: 1.5A  
 Voltage Rate: 125V  
 Dielectric Voltage: 1000V AC for one minute  
 Insulation Resistance: 500MΩ Min.  
 Contact Resistance: 30mΩ Max.  
 Material Contact: Copper Alloy, Gold / Tin  
 Material Shell: Copper Alloy, Nickel Plated  
 Material Insulator: PBT or NY 9T, UL94V-0  
 Operating Temperature: -40°C~+85°C



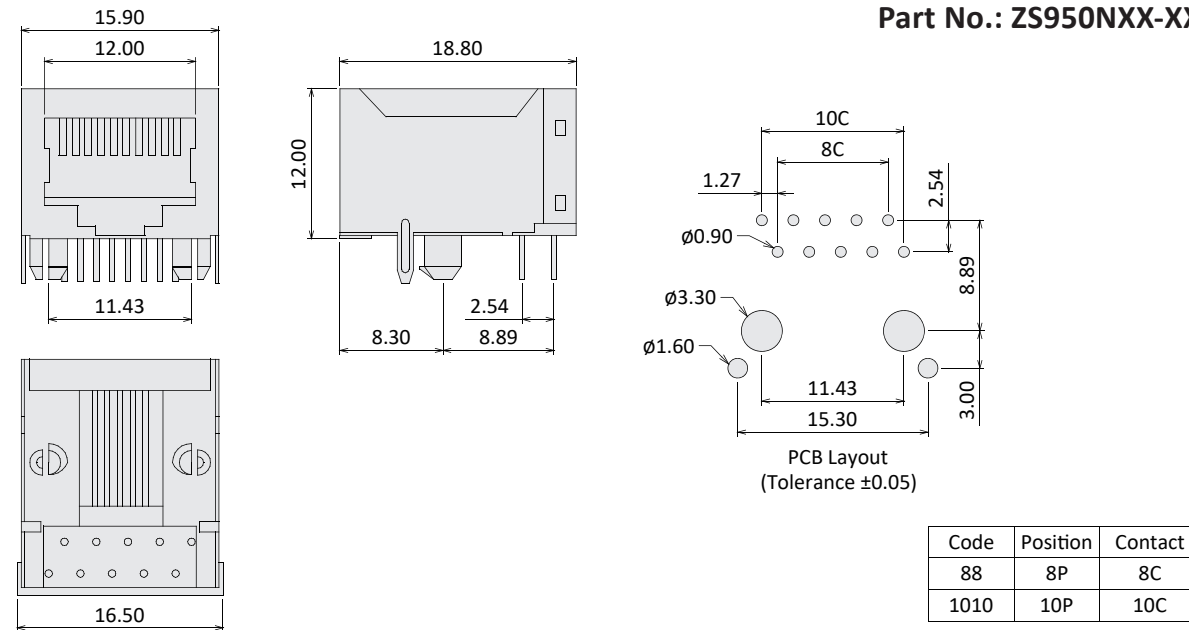
## Modular Jack Shielded Side Entry H=12.15 W=18.7

Part No.: ZS951NXX-XX



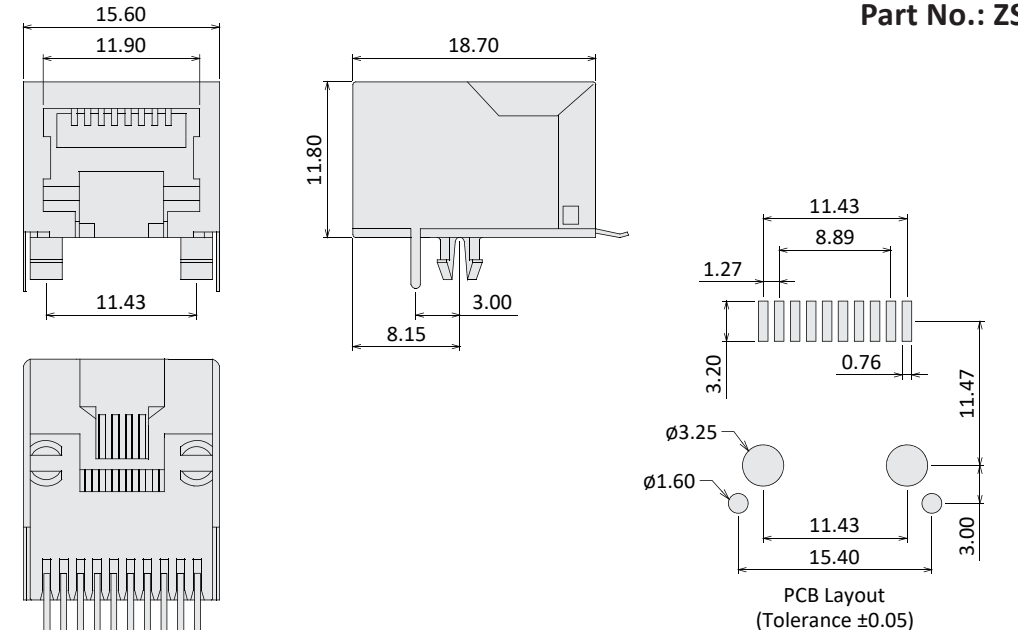
## Modular Jack Shielded Side Entry H=12.0 W=18.8

Part No.: ZS950NXX-XX



## Modular Jack Shielded Side Entry H=11.8 W=18.7

Part No.: ZS963NXX-XX



### Order Information

ZS XXX N XX - XX

Series No. 810 / 950    N: W/O Ear    G0: Gold Flash    G1: Gold 3u"    G2: Gold 6u"    G3: Gold 10u"    G4: Gold 15u"    G5: Gold 30u"    See Table (Code)

### Order Information

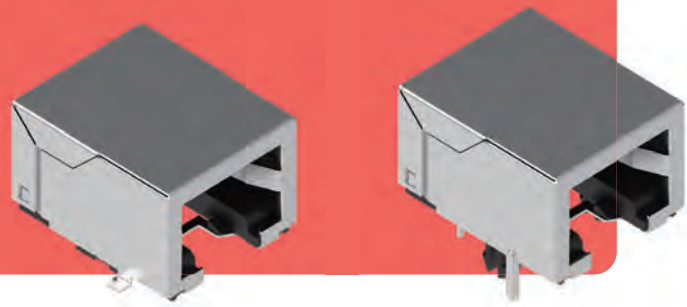
ZS XXX N XX - XX

Series No. 951 / 963    N: W/O Ear    G0: Gold Flash    G1: Gold 3u"    G2: Gold 6u"    G3: Gold 10u"    G4: Gold 15u"    G5: Gold 30u"    88: 8P8C    1010: 10P10C



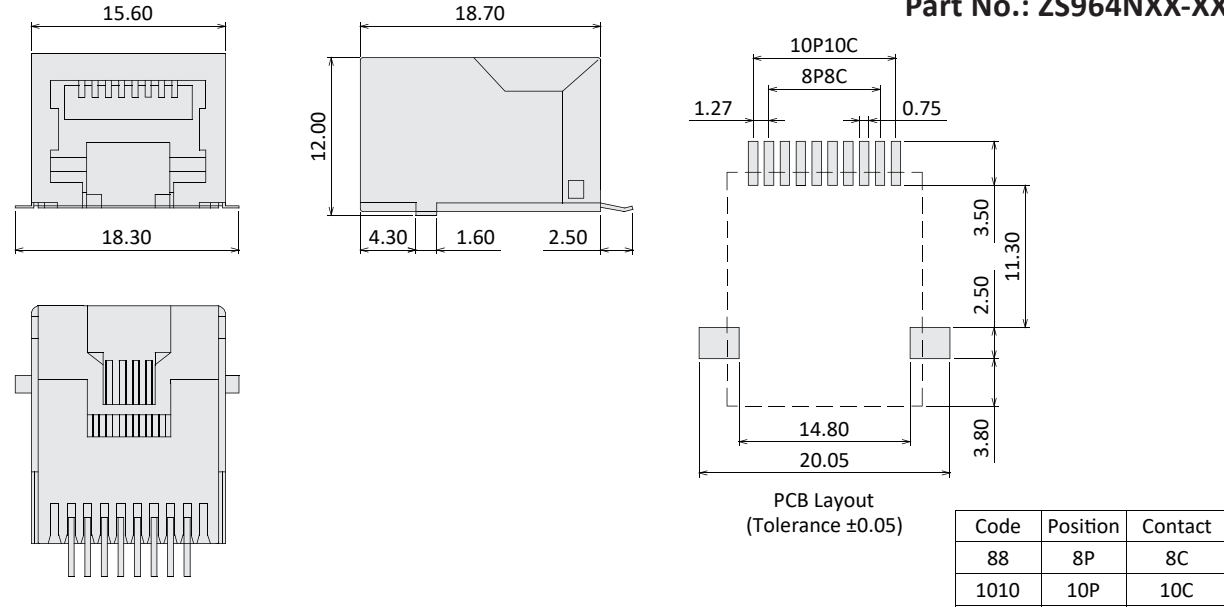
# Modular Jack

Current Rate: 1.5A  
 Voltage Rate: 125V  
 Dielectric Voltage: 1000V AC for one minute  
 Insulation Resistance: 500MΩ Min.  
 Contact Resistance: 30mΩ Max.  
 Material Contact: Copper Alloy, Gold / Tin  
 Material Shell: Copper Alloy, Nickel Plated  
 Material Insulator: PBT or NY 9T, UL94V-0  
 Operating Temperature: -40°C~+85°C



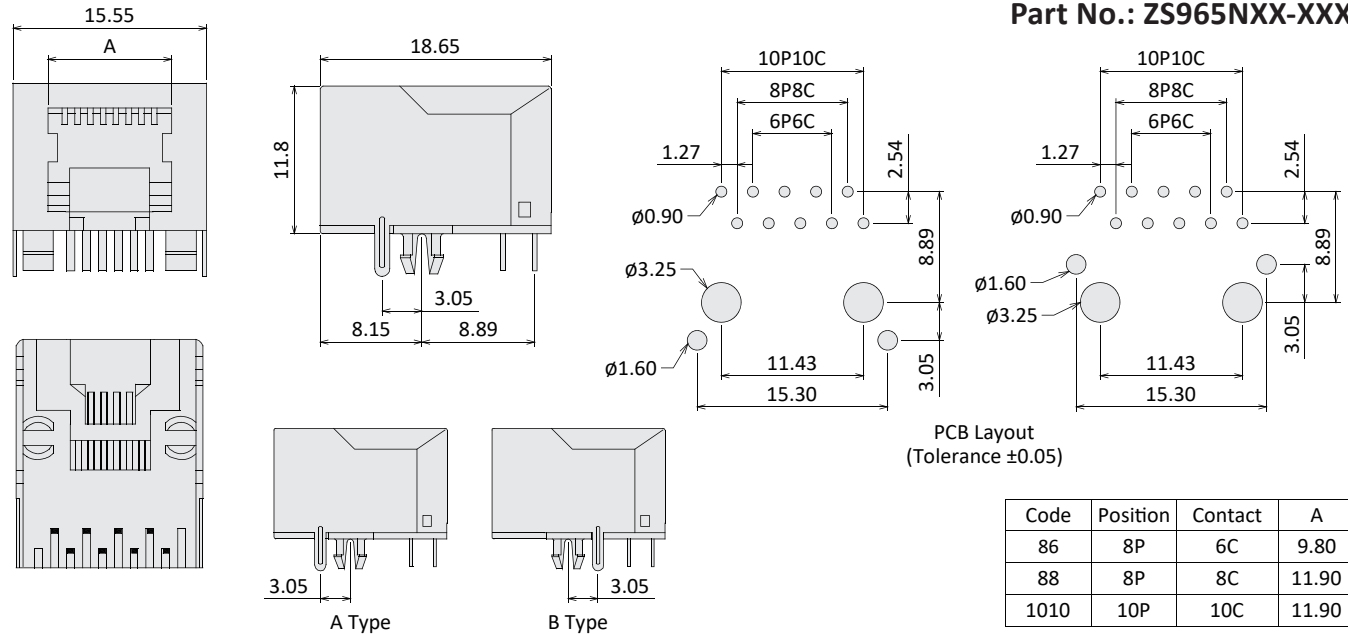
## Modular Jack Shielded Side Entry H=12.0 W=18.7

Part No.: ZS964NXX-XX



## Modular Jack Shielded Side Entry H=11.8 W=18.65

Part No.: ZS965NXX-XXX



## Order Information

ZS XXX N XX - XX X

Series No. 964 / 965    N: W/O Ear    G0: Gold Flash, G1: Gold 3u", G2: Gold 6u", G3: Gold 10u", G4: Gold 15u", G5: Gold 30u"    See Table (Code)    A: A Type Layout, B: B Type Layout (965 only)

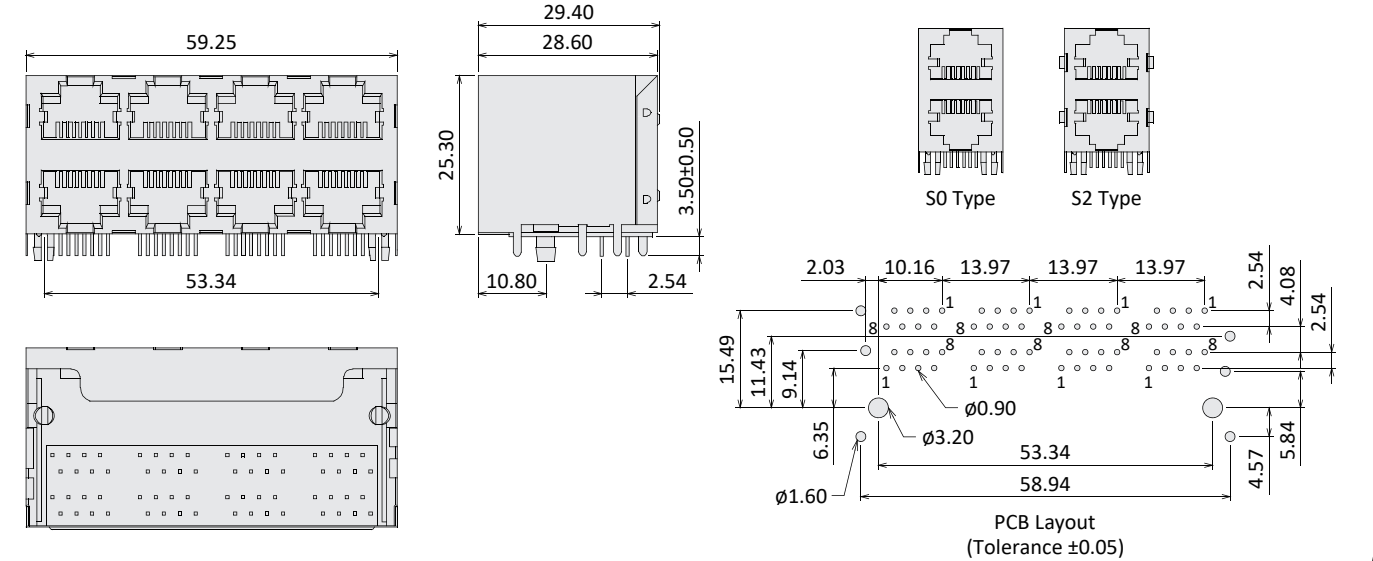
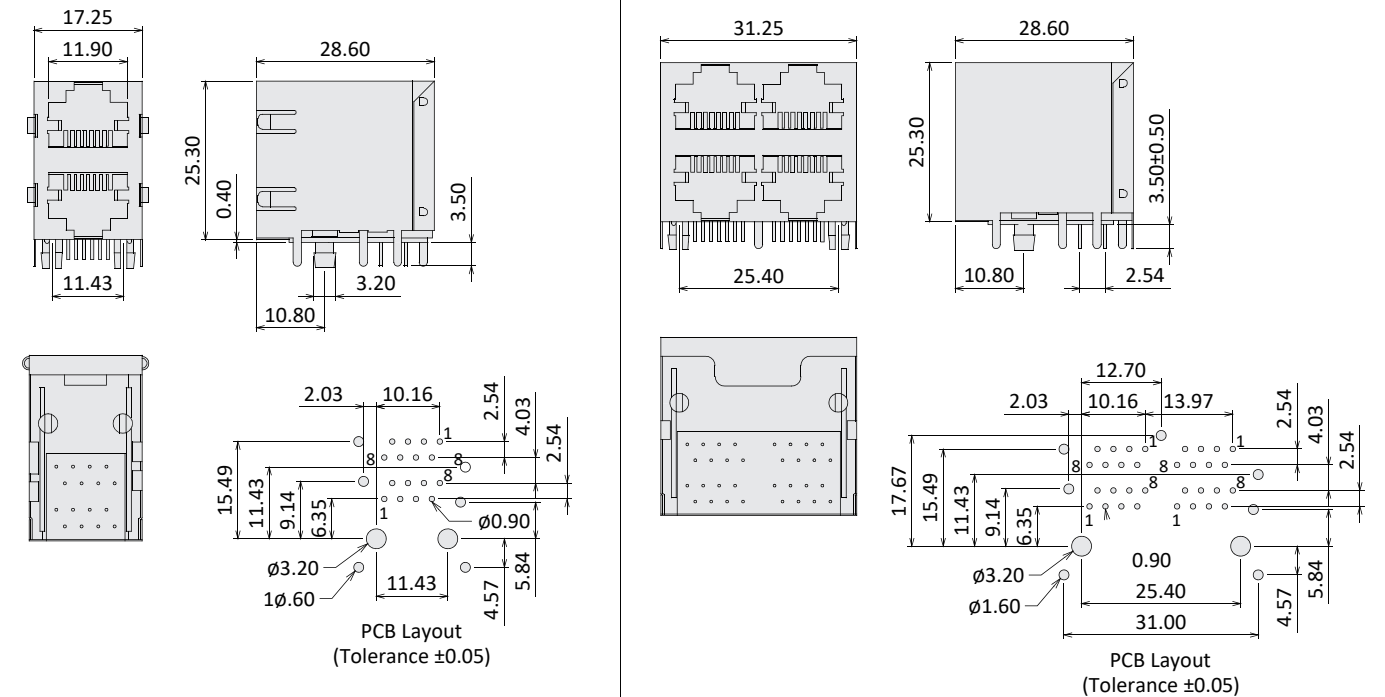
# Modular Jack

Current Rate: 1.5A  
 Voltage Rate: 125V  
 Dielectric Voltage: 1000V AC for one minute  
 Insulation Resistance: 500MΩ Min.  
 Contact Resistance: 30mΩ Max.  
 Material Contact: Copper Alloy, Gold Plated  
 Material Shell: Copper Alloy, Nickel Plated  
 Material Insulator: PBT, UL94V-0  
 Operating Temperature: -40°C~+85°C



## Modular Jack Shielded Side Entry 2x1 / 2x2 / 2x4 Ports

Part No.: ZS401XX-88-2X-SX



## Order Information

ZS 401 XX - 88 - 2X - SX

Series No.    G0: Gold Flash, G1: Gold 3u", G2: Gold 6u", G3: Gold 10u", G4: Gold 15u", G5: Gold 30u"    8P8C    21: 2x1 Ports, 22: 2x2 Ports, 24: 2x4 Ports    S0: Non-Panel Ground, S2: Left/Right Panel Ground

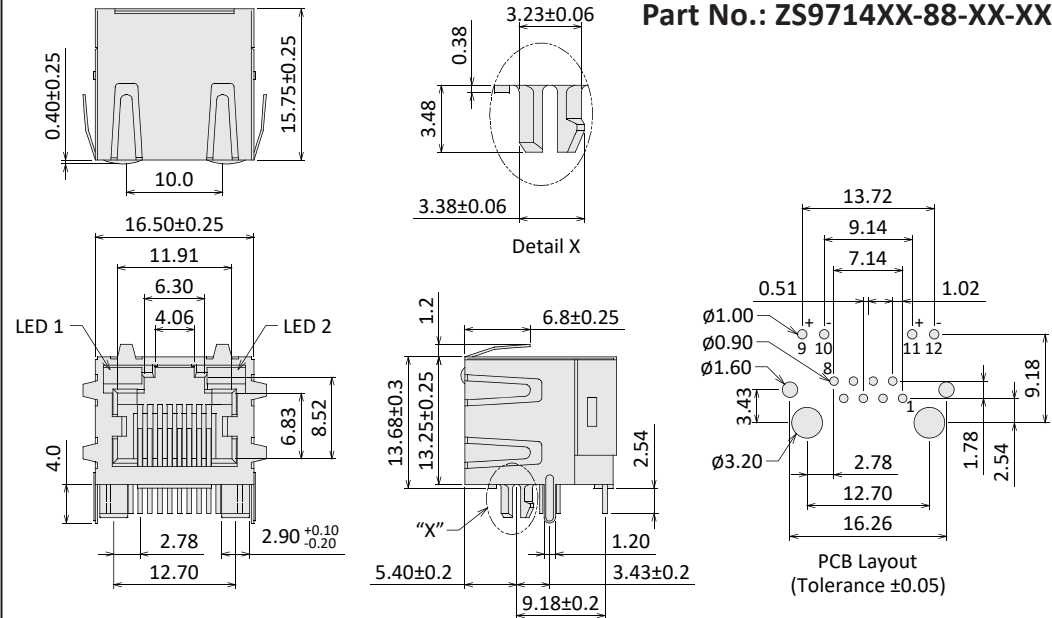
# Modular Jack

Current Rate: 1.5A  
 Voltage Rate: 125V  
 Dielectric Voltage: 1000V AC for one minute  
 Insulation Resistance: 500MΩ Min.  
 Contact Resistance: 30mΩ Max.  
 Material Contact: Copper Alloy, Gold Plated  
 Material Shell: Copper Alloy, Nickel Plated  
 Material Insulator: NY 46 or NY 9T, UL94V-0  
 Operating Temperature: -40°C~+85°C



## Modular Jack Shielded Side Entry With LED

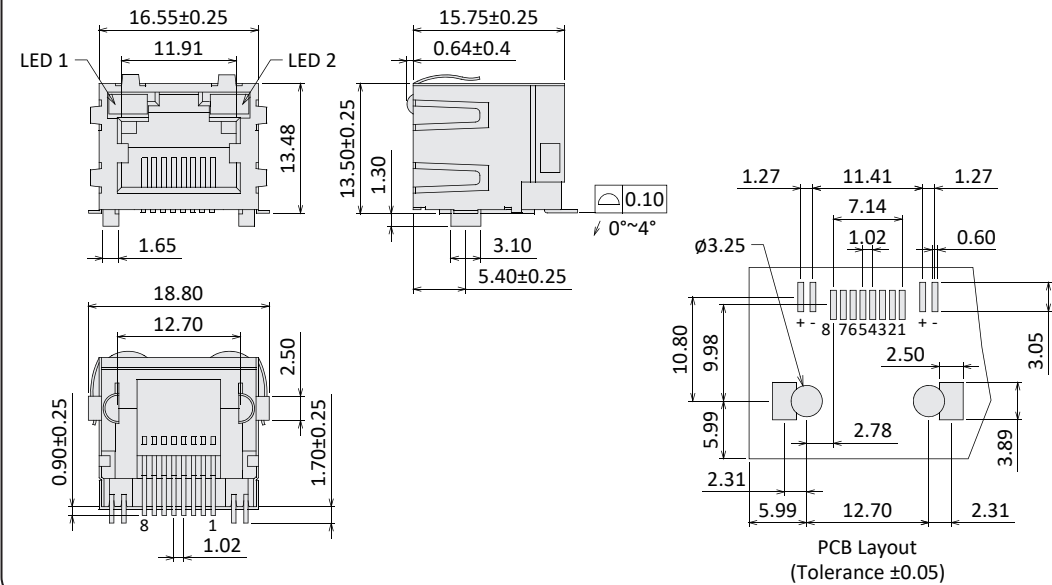
Part No.: ZS9714XX-88-XX-XX



Left(LED1)	Left(LED2)	No.
No LED	No LED	01
Yellow	Green	02
Yellow	Yellow	3
Green	Yellow	4
Green	No LED	5
No LED	Green	6
Orange/Green	Orange/Green	7
Yellow/Green	Yellow/Green	8
Orange/Green	Yellow	9
No LED	Green/Yellow	10
Green	Orange	11
Orange	Green	12
Green	Red	13
Red	Green	14
Red/Green	Green/Yellow	15
Green	Green/Yellow	16
Yellow	Green/Orange	17
Red/Green	Green/Yellow	18
Red	Red	19

## Modular Jack Shielded Side Entry With LED

Part No.: ZS9756XX-88-XX-XX



Left(LED1)	Left(LED2)	No.
No LED	No LED	01
Yellow	Green	02
Yellow	Yellow	3
Green	Yellow	4
Green	No LED	5
No LED	Green	6
Orange/Green	Orange/Green	7
Yellow/Green	Yellow/Green	8
Orange/Green	Yellow	9
No LED	Green/Yellow	10
Green	Orange	11
Orange	Green	12
Green	Red	13
Red	Green	14
Red/Green	Green/Yellow	15
Green	Green/Yellow	16
Yellow	Green/Orange	17
Red/Green	Green/Yellow	18
Red	Red	19

## Order Information

ZS    XXXX    XX    -    88    -    XX    -    XX

Series No. 9714 / 9756    G0: Gold Flash    G1: Gold 3u"    G2: Gold 6u"    G3: Gold 10u"    G4: Gold 15u"    G5: Gold 30u"    8P8C    LED Color See Table    S0: Non-Panel Ground    S1: Top Panel Ground    S2: Left/Right Panel Ground    S3: Left/Right/Top Panel Ground    S2 for 9714 only

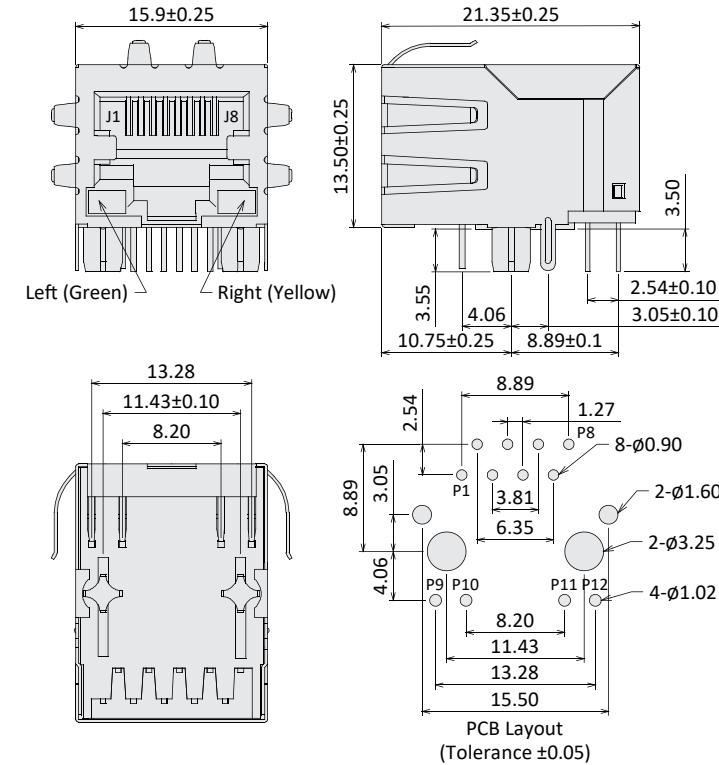
# Modular Jack

Current Rate: 1.5A  
 Voltage Rate: 125V  
 Dielectric Voltage: 1000V AC for one minute  
 Insulation Resistance: 500MΩ Min.  
 Contact Resistance: 30mΩ Max.  
 Material Contact: Copper Alloy, Gold/Tin  
 Material Shell: Copper Alloy, Nickel Plated  
 Material Insulator: Thermoplastic, UL94V-0  
 Operating Temperature: -40°C~+85°C

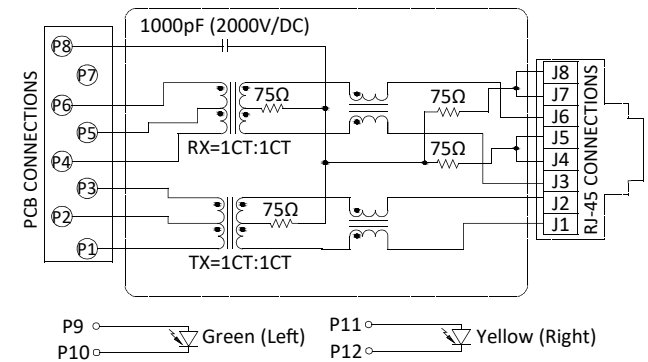


## Modular Jack Shielded Side Entry With LED & Transformer

Part No.: RJXS1009-00ANL



**ELECTRICAL SPECIFICATIONS:**  
 1. Insulation Voltage: 1500V/AC(Input to output)  
 2. OCL: 350uH Minimum @100KHz 100mV 8mA DC  
 3. Insertion Loss: -1.2dB Maximum @100KHz-100MHz  
 4. Return Loss:  
 -18dB Minimum @1MHz-30MHz / -14dB Minimum @30MHz-60MHz  
 -12dB Minimum @60MHz-80MHz / -10dB Minimum @80MHz-100MHz



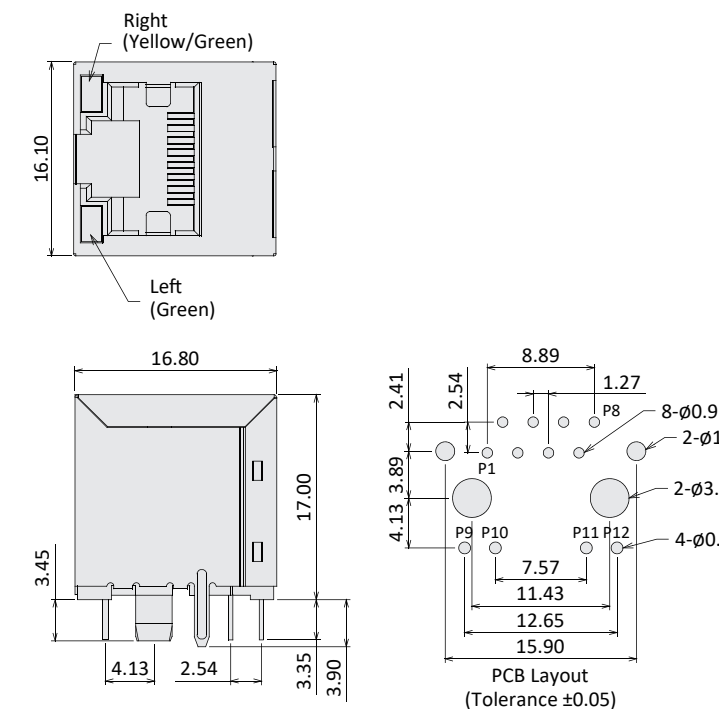
LED SPECIFICATION

Standard LED Color	LED Wavelength	Forward (V MAX)	Typical (V TYP)	Luminous Intensity
Green	560-580nm	2.5V	2.1-2.2V	9-25 MCD
Yellow	580-610nm	2.5V	2.1-2.2V	9-30 MCD

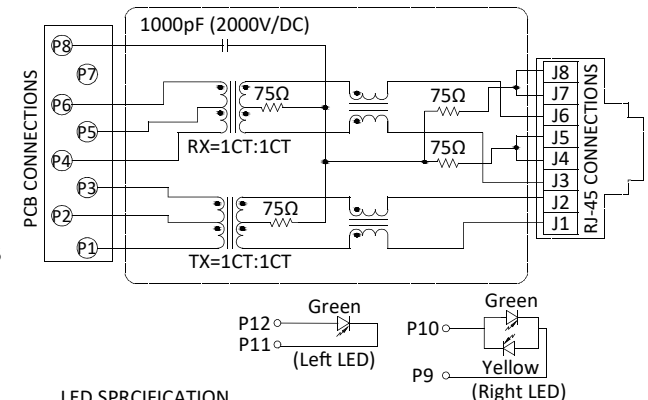
1. LED intensity/wavelength measured with Photo Research PR-650 Colormeter.  
 2. With a forward current of 20 mA, Absolute Maximum Ratings(Ta=25°C)

## Modular Jack Shielded Top Entry With LED & Transformer

Part No.: RJXS1102-00ANL



**ELECTRICAL SPECIFICATIONS:**  
 1. Insulation Voltage: 1500V/AC(Input to output)  
 2. OCL: 350uH Minimum @100KHz 100mV 8mA DC  
 3. Insertion Loss: -1.2dB Maximum @100KHz-100MHz  
 4. Return Loss:  
 -18dB Minimum @1MHz-30MHz / -14dB Minimum @30MHz-60MHz  
 -12dB Minimum @60MHz-80MHz / -10dB Minimum @80MHz-100MHz



LED SPECIFICATION

Standard LED Color	LED Wavelength	Forward (V MAX)	Typical (V TYP)	Luminous Intensity
Green	560-580nm	2.5V	2.1-2.2V	9-25 MCD
Yellow	580-610nm	2.5V	2.1-2.2V	9-30 MCD

1. LED intensity/wavelength measured with Photo Research PR-650 Colormeter.  
 2. With a forward current of 20 mA, Absolute Maximum Ratings(Ta=25°C)